
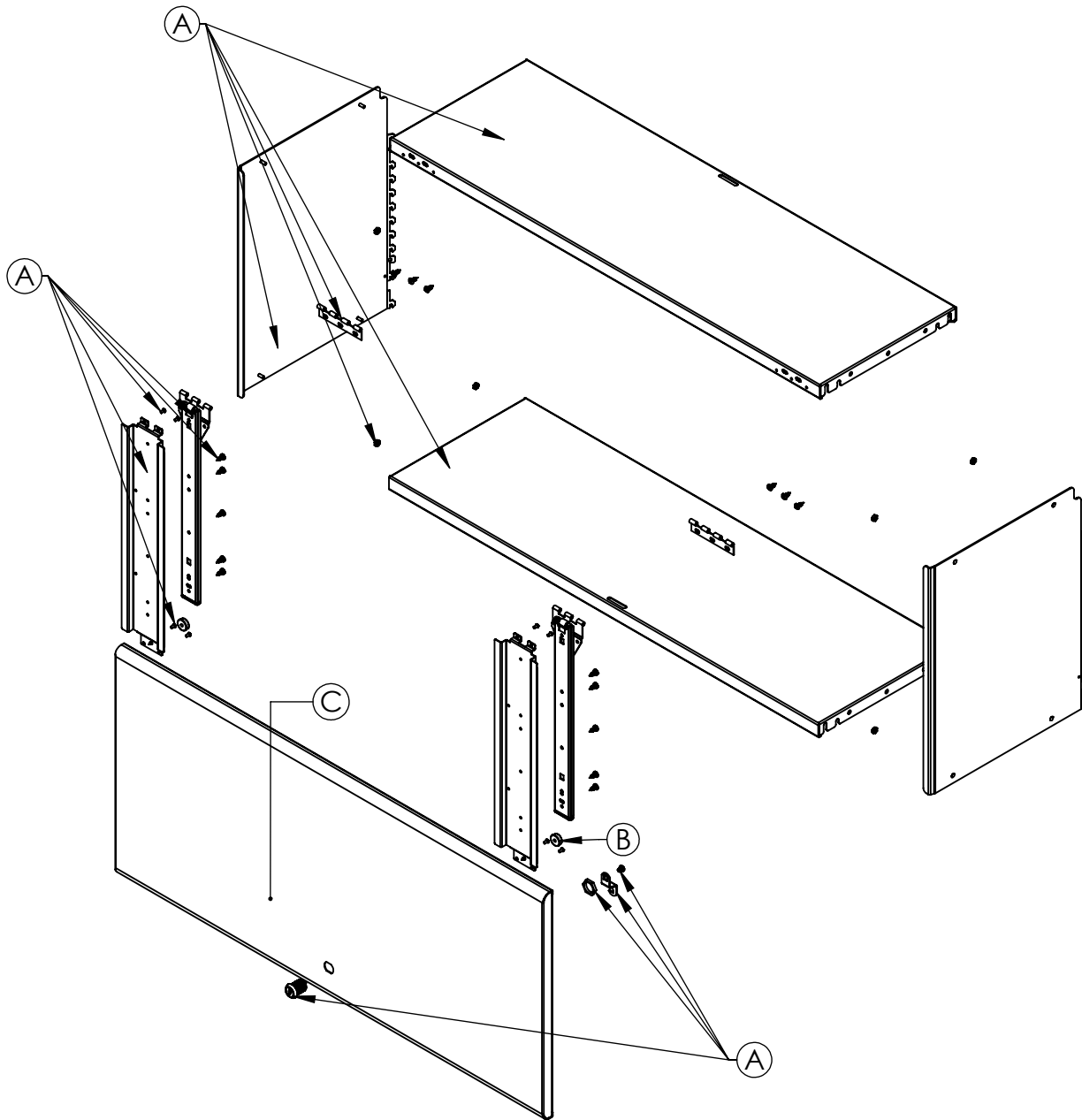




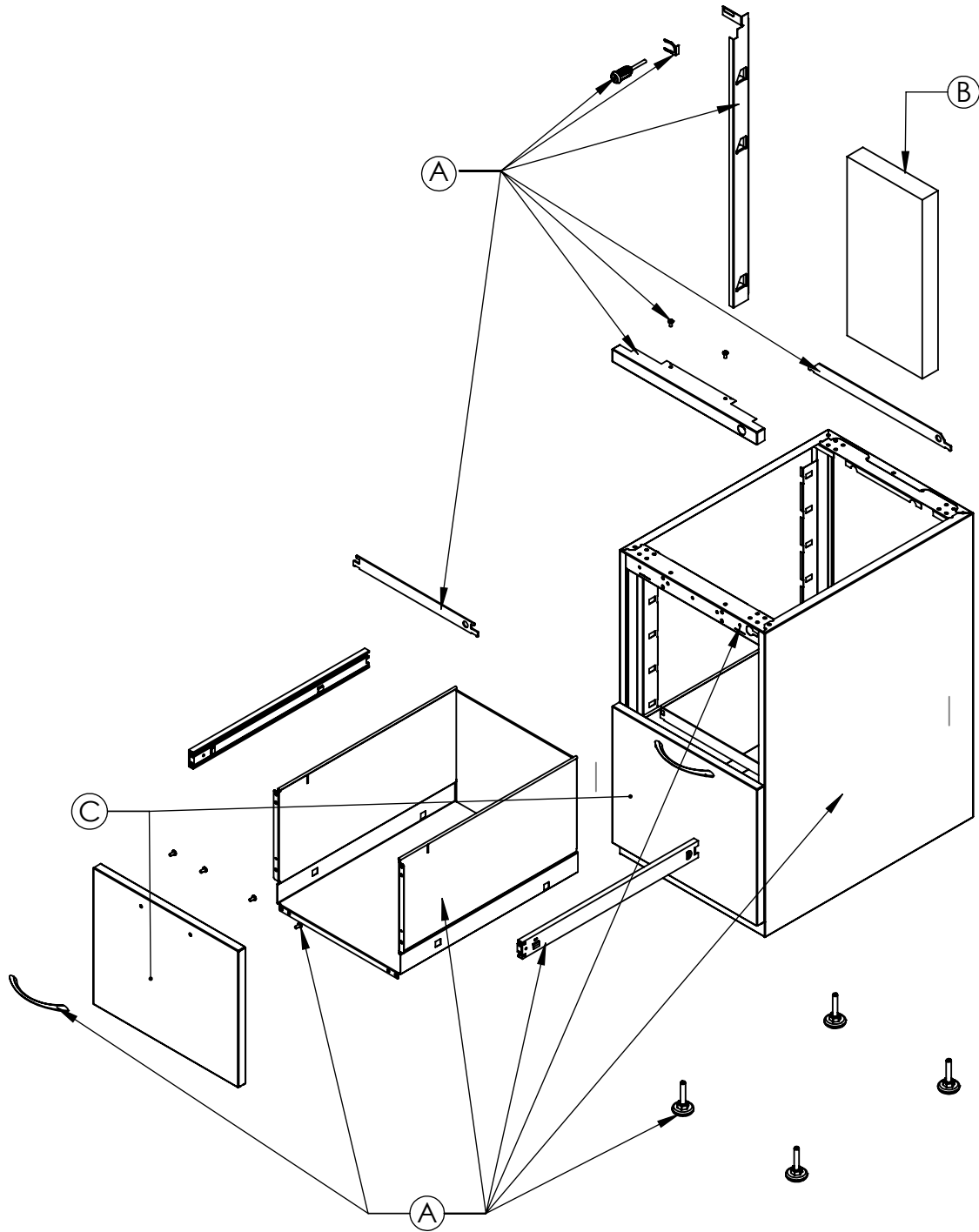
PARTS		SPECS	TOOLS REQUIRED
A.) STEEL		STEEL	1.) CORDLESS DRILL
B.) WOOD		LAMINATED COMPOSITE WOOD	2.) PHILLIPS SCREWDRIVER
C.) PLASTIC		FLEXIBLE PVC	

METAL OVERHEAD - DISASSEMBLY INSTRUCTIONS
REVISION DATE: 7/6/12



PARTS	SPECS	TOOLS REQUIRED
A) STEEL 	STEEL	1.) FLATHEAD SCREWDRIVER
B.) PLASTIC	RUBBER	2.) CORDLESS DRILL
C.) PEDASTAL FACE	1) STEEL  2) LAMINATE WITH PLASTIC PVC EDGE	3.) PHILLIPS SCREWDRIVER
		4.) 3/8 WRENCH

PEDASTAL - DISASSEMBLY INSTRUCTIONS
REVISION DATE: 7/6/12



PARTS	SPECS	TOOLS REQUIRED
A) STEEL	STEEL	1.) FLATHEAD SCREWDRIVER
B.) CEMENT	CEMENT	2.) CORDLESS DRILL
C.) PEDASTAL FACE	1) STEEL 2) LAMINATE WITH PLASTIC PVC EDGE	3.) PHILLIPS SCREWDRIVER