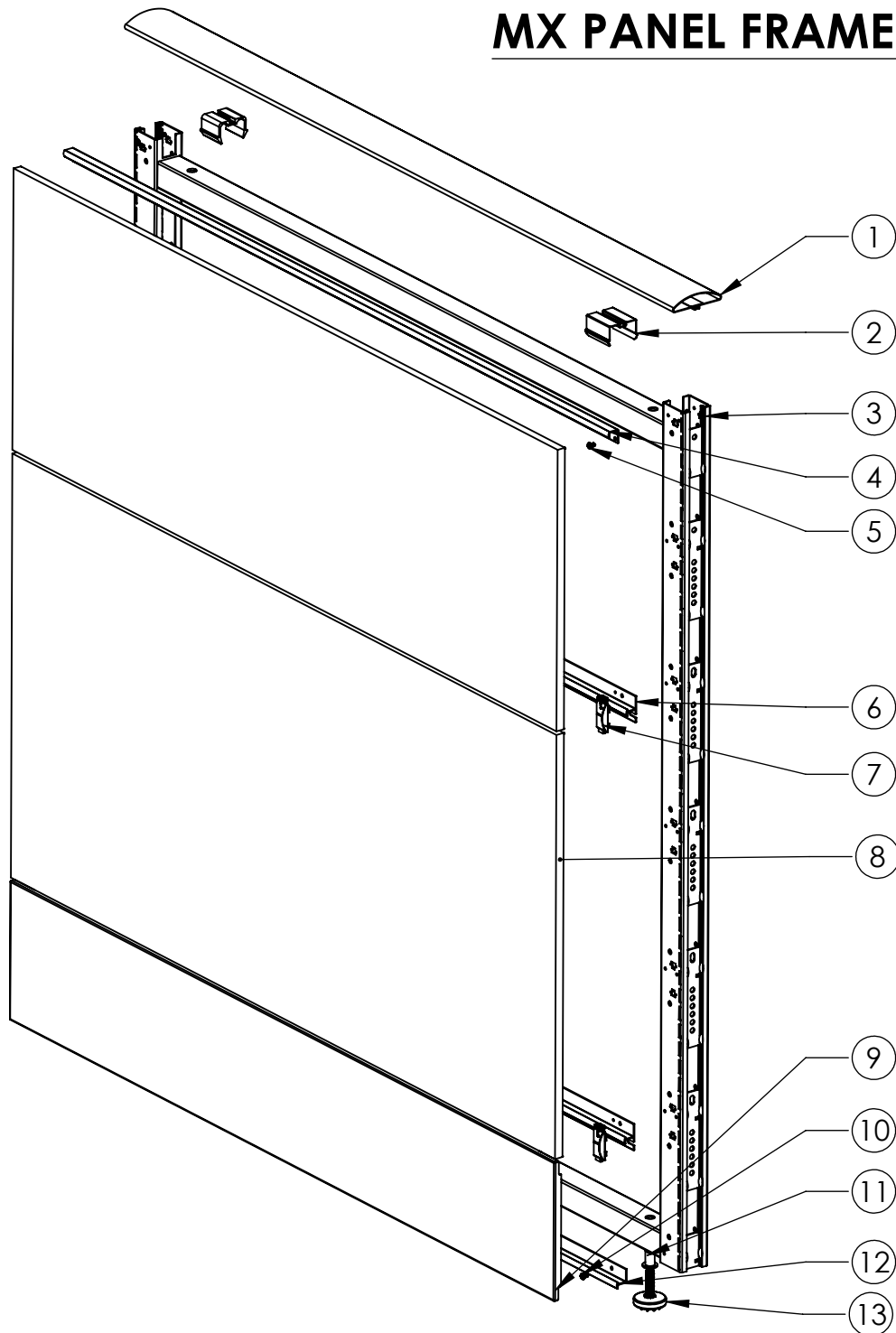
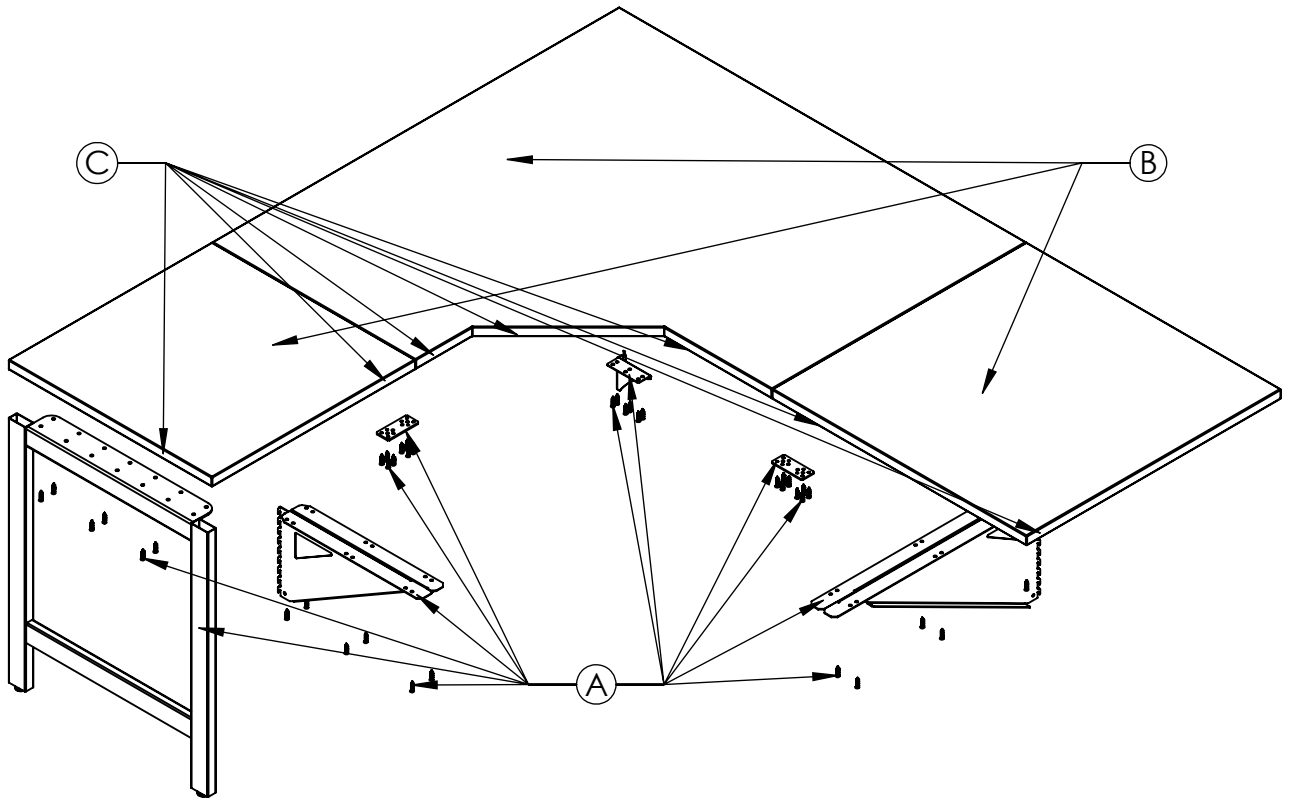



MX PANEL FRAME DISASSEMBLY

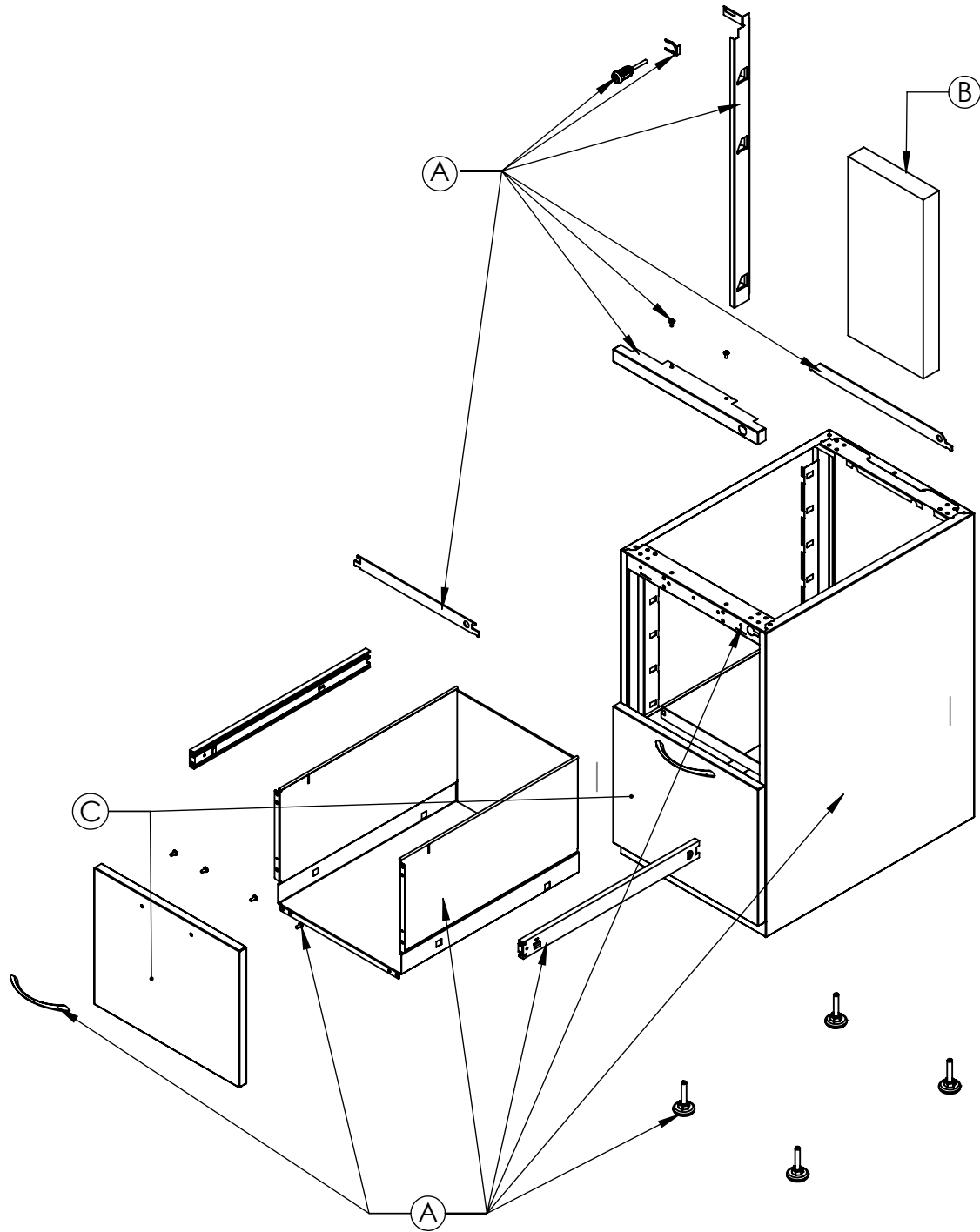




ITEM NO.	MATERIAL
1	ALUMINUM
2	ABS
3	STEEL
4	M2-Concept15-48
5	STEEL
6	ALUMINUM
7	ABS
8	FABRIC FIBERGLASS
9	STEEL
10	STEEL
11	STEEL
12	ALUMI NUM
13	STEEL



PARTS		SPECS	TOOLS REQUIRED
A.) STEEL		STEEL	1.) CORDLESS DRILL
B.) WOOD		LAMINATED COMPOSITE WOOD	2.) PHILLIPS SCREWDRIVER
C.) PLASTIC		FLEXIBLE PVC	

PEDASTAL - DISASSEMBLY INSTRUCTIONS
REVISION DATE: 7/6/12



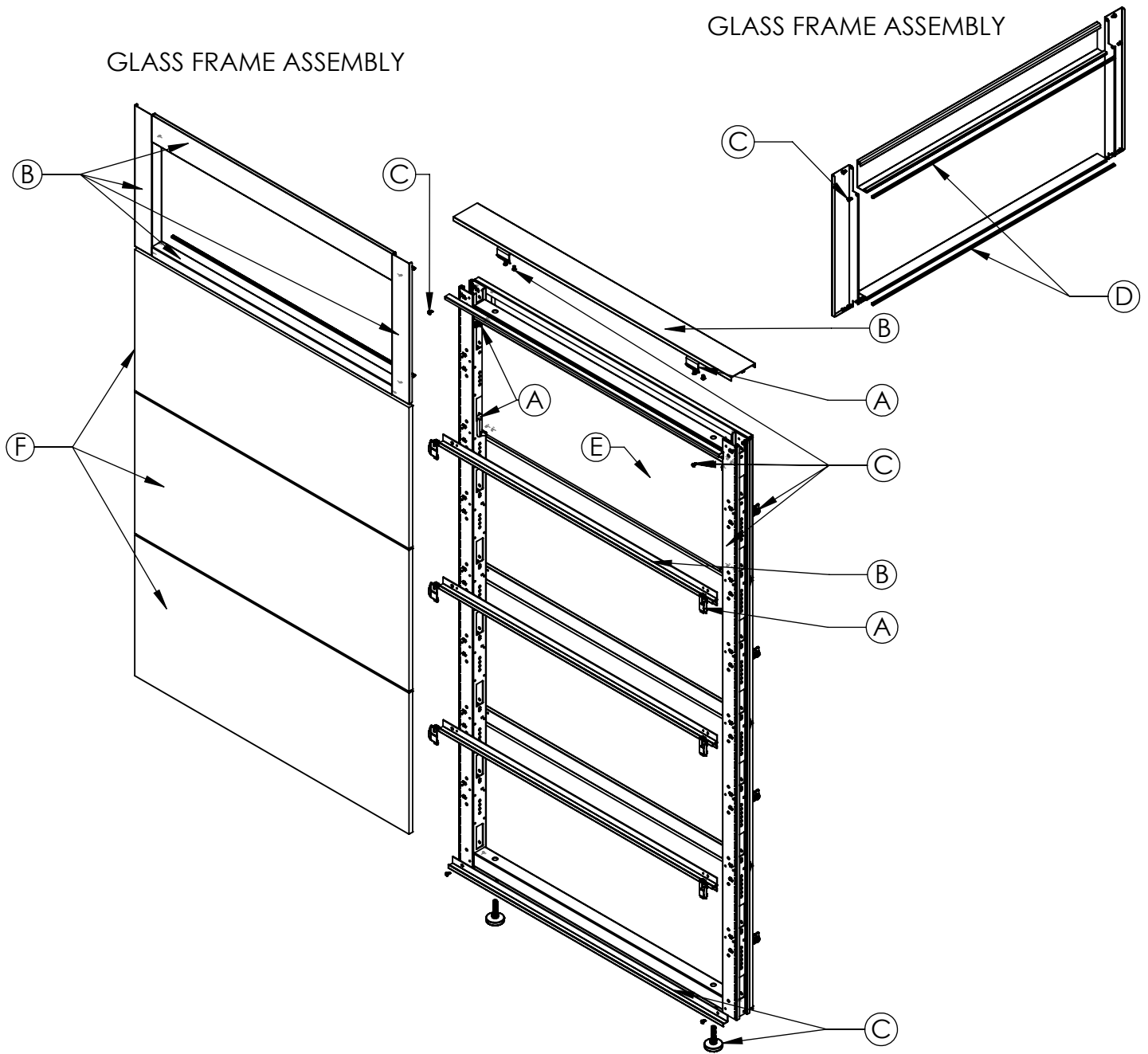
PARTS	SPECS	TOOLS REQUIRED
A) STEEL 	STEEL	1.) FLATHEAD SCREWDRIVER
B.) CEMENT	CEMENT	2.) CORDLESS DRILL
C.) PEDASTAL FACE	1) STEEL  2) LAMINATE WITH PLASTIC PVC EDGE	3.) PHILLIPS SCREWDRIVER

MX PANEL WITH GLASS - DISASSEMBLY INSTRUCTIONS
REVISION DATE: 7/6/12



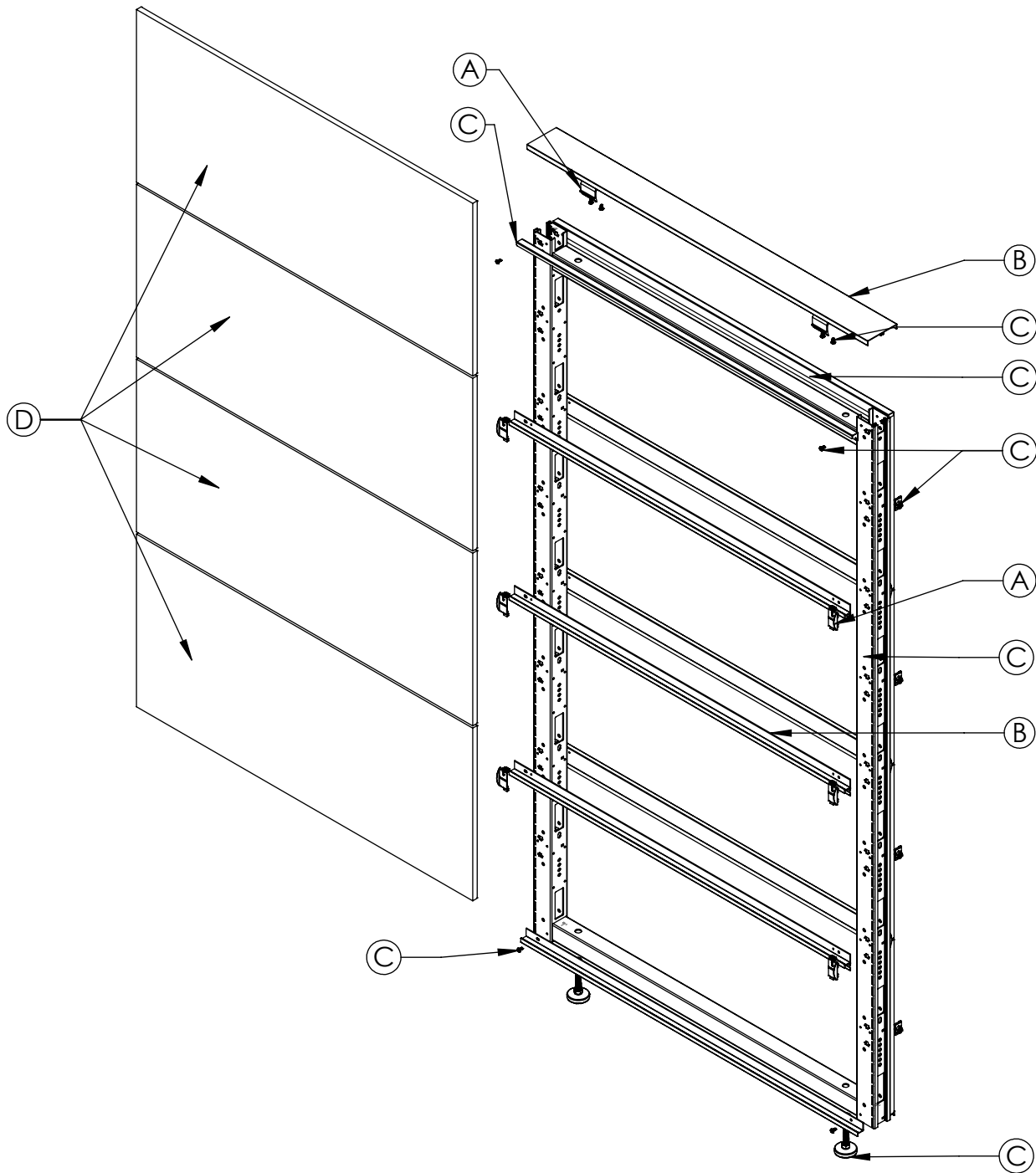
GLASS FRAME ASSEMBLY

GLASS FRAME ASSEMBLY



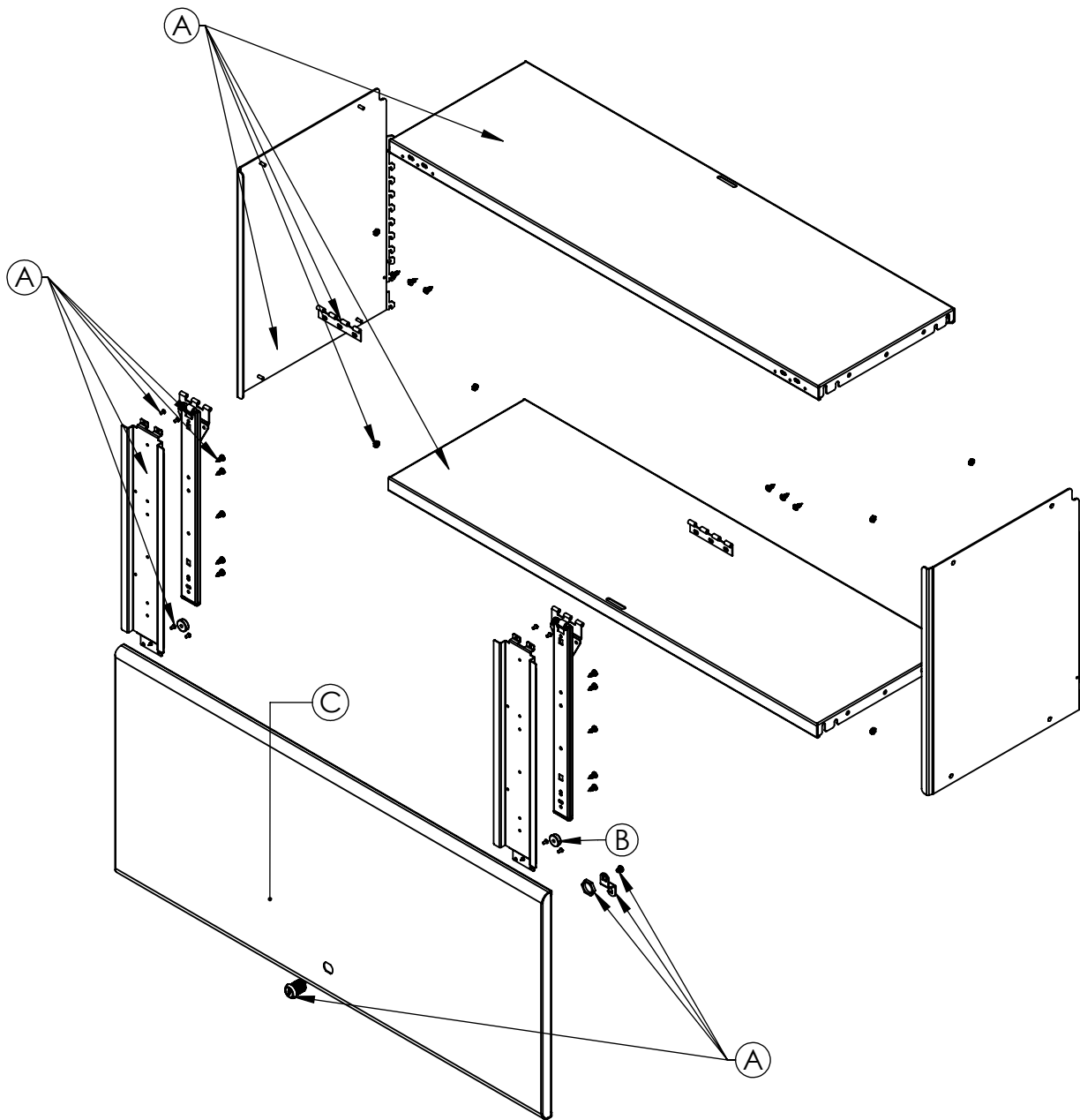
PARTS	SPECS	TOOLS REQUIRED
A.) PLASTIC	ABS	1.) FLATHEAD SCREWDRIVER
B.) ALUMINUM ☼	6063 - T5	2.) MALLET
C.) STEEL ☼	STEEL	3.) PHILLIPS SCREWDRIVER
D.) PLASTIC	FLEXIBLE PVC	4.) CORDLESS DRILL
E.) GLASS	TEMPERED	
F.) INSERT TILES	1.) TACKABLE ACOUSTICAL 2.) STANDARD STEEL ☼ 3.) EMBOSSED STEEL ☼ 4.) PERFORATED STEEL ☼ 5.) LAMINATE 6.) GLASS 7.) OPEN FRAME (ALUMINUM 6063-T5) ☼ 8.) WHITE BOARD 9.) VENEER 10.) UTILITY (ALUMINUM 6063-T5) ☼	



MX PANEL - DISASSEMBLY INSTRUCTIONS
REVISION DATE: 7/6/12



PARTS	SPECS	TOOLS REQUIRED
A.) PLASTIC	ABS	1.) FLATHEAD SCREWDRIVER
B.) ALUMINUM	6063 - T5	2.) MALLET
C.) STEEL	STEEL	3.) PHILLIPS SCREWDRIVER
D.) INSERT TILES	1.) TACKABLE ACOUSTICAL 2.) STANDARD STEEL 3.) EMBOSSED STEEL 4.) PERFORATED STEEL 5.) LAMINATE 6.) GLASS 7.) OPEN FRAME (ALUMINUM 6063-T5) 8.) WHITE BOARD 9.) VENEED 10.) UTILITY (ALUMINUM 6063-T5)	4.) CORDLESS DRILL

METAL OVERHEAD - DISASSEMBLY INSTRUCTIONS
REVISION DATE: 7/6/12



PARTS	SPECS	TOOLS REQUIRED
A.) STEEL 	STEEL	1.) FLATHEAD SCREWDRIVER
B.) PLASTIC	RUBBER	2.) CORDLESS DRILL
C.) PEDASTAL FACE	1.) STEEL  2.) LAMINATE WITH PLASTIC PVC EDGE	3.) PHILLIPS SCREWDRIVER
		4.) 3/8 WRENCH