



Pricing has  
been updated  
to reflect 9.1.12  
price adjustment.

AIS  
seating  
catalog www.ais-inc.com  
2011



## Pricing & Discounts

- Pricing is determined by size of order, zone location of dealer, and other criteria. Refer to your Authorized AIS Dealer Pricing Program for complete guidelines.
- Purchase orders must be received by 12:00 noon EST in order for the following day to be considered start of ship date lead-time.
- The total net amount of order must be clearly indicated on all purchase orders.
- Account must be in good standing and have no past due balance for purchase order to be accepted.
- Only Authorized AIS Dealers may purchase from AIS. Dealers not placing orders with AIS for any 6-month period will be considered "inactive" and will require review by AIS sales management before any order will be accepted.
- Special pricing taken on any order must reference AIS Special Pricing Authorization (SPA).
- If there are any discrepancies on purchase order, dealer will be required to "sign off" on final order detail. Signature by dealer constitutes acceptance of new purchase order amount and item details contained therein.

## Order Changes & Cancellations

AIS understands that from time to time changes may be required on orders; however, as all AIS products are produced custom for each order, changes and cancellation costs will be assessed based on the following schedule. Review your acknowledgement thoroughly. All dates below are from time of acknowledgement.

- No fee for orders changed or cancelled within one day (24 hours) on Quick Ship orders or within two days (48 hours) on standard ship orders.
- A fee of 50% of the net pretax total of affected product if order is changed or cancelled within two days (48 hours) on a Quick Ship order or within three days (96 hours) on a standard ship order.
- A fee of 100% of the net pretax total of affected product if order is changed or cancelled within three days (72 hours) on a Quick Ship order or within four days (168 hours) on a standard ship order.
- A fee of 100% of the net pretax total of all product on Rush Orders or orders with custom product if changed or cancelled after 24 hours.

## Order Submission

Orders should be placed electronically through the AIS website using eOrders in DealerNet – [www.ais-inc.com/DealerNet/eOrders](http://www.ais-inc.com/DealerNet/eOrders). Any questions on how to submit and track orders should be directed to your Customer Service Representative.

Orders may also be faxed or emailed to AIS Customer Service.

Fax: 978-567-5187

Email: [orderentry@ais-inc.com](mailto:orderentry@ais-inc.com)

Orders can be tracked online at [www.ais-inc.com/DealerNet/eOrders/OrderTracker.aspx](http://www.ais-inc.com/DealerNet/eOrders/OrderTracker.aspx).

## Add On Orders

Refer to your Authorized Dealer Program via AIS DealerNet for terms and conditions for add-on orders.

## COM Fabric Policy

It is mandatory that a COM Fabric Dealer Form be completed and submitted to your AIS Customer Service representative. The form may be downloaded or printed from the AIS website at [www.ais-inc.com/downloads/COMFabric.pdf](http://www.ais-inc.com/downloads/COMFabric.pdf). All COM fabrics must be tested and approved by AIS before an order can be processed by Customer Service.

COM yardage identified is for 54" wide material. For fabric with a nap, pattern or different width, yardage calculation will be made by AIS after examination of sample. All COM testing requires a 12" x 12" sample. If COM is difficult to apply or it requires modification, extra charges will apply. AIS reserves the right to reject any material as unsuitable.

For fabric with a repeat, please call Customer Service for a yardage calculation.

AIS assumes no responsibility for fabric wear, defects or appropriateness, and therefore no warranty will apply to COM fabrics.

## Payment Terms

A signed purchase order is required for all orders, unless waived by an officer of Affordable Interior Systems, LLC (AIS). First time orders require a 50% deposit, unless waived by an officer of Affordable Interior Systems, LLC (AIS). With approved credit, all balances are due within 30 days of invoice date.

## Credit

Three trade references (including bank and account number) are required. All accounts with balances beyond 30 days of invoice date will be put on credit hold until the balance is paid in full.

## Acknowledgements

Every order is acknowledged via e-mail. Dealer must sign the acknowledgement and return to Customer Service within 24 hours. Orders will be manufactured and invoiced based upon the information on the acknowledgement. If there is any discrepancy, please notify AIS immediately. Orders are accepted by AIS per terms on the acknowledgement.

If you require a specific delivery date, please note that date on the top of your purchase order.

# Terms & Conditions

## Sales Tax

Affordable Interior Systems, LLC is registered with multiple states. In this case, we are required by law to collect and remit sales tax to the states in which we are registered. Please download and complete the Multi-Jurisdictional Sales Tax Exemption Form from our website for all states which your company has a valid resale tax exemption certificate. Fax a completed form to our Accounting Department at (978) 562-0811.

[www.ais-inc.com/downloads/SalesTaxExempt.pdf](http://www.ais-inc.com/downloads/SalesTaxExempt.pdf)

## Freight Policy

FOB origin, freight pre-paid. Delivery includes standard Monday through Friday 9am to 5pm deliveries. After-hours, holiday, weekend or specific time delivery requirements may be arranged for an additional charge. Please contact AIS Customer Service. If you require delivery on a specific day during standard business hours and for a non-rushed order, we offer a guaranteed two hour window receipt for \$250 if your CSR is notified at least one week before your order is scheduled to ship. You may arrange a delivery with the carrier by noting "Call Before Delivery" on your order, which will typically delay receipt of the product to you by about one day. Please track your order at [www.ais-inc.com](http://www.ais-inc.com) using your PO# or AIS Sales order. **Please note:** Dealer may incur additional carrier Accessorial Fees if not specified and quoted at the time of order for the following:

The most common causes of Accessorial Fees are:

- |                             |                              |                             |  |
|-----------------------------|------------------------------|-----------------------------|--|
| - <b>detention charges</b>  | - <b>redirect of product</b> | - <b>refusal of product</b> | - <b>can't accommodate certain size trucks</b> |
| - <b>lift gate required</b> | - <b>no loading dock</b>     | - <b>street unloads</b>     | - <b>storage</b>                               |

You will receive a Circle Sheet and Packing List to help you receive product. All damage or lost freight should be reported to AIS within 72 hours of receipt. In the case of concealed damage, you have 10 days from time of receipt to report damaged product accompanied by a picture.

## Deductions

Deductions from invoices are not allowed, for any reason, without authorization from AIS.

## Delay of Shipment

Acceptance of AIS acknowledgement confirms order ship date. If dealer requests delay of shipment for any period greater than one day from scheduled ship date, the following storage fees will be assessed. Dealer must submit purchase order for estimated storage costs:

Orders less than full trailer - \$25/day/pallet

Full trailer - \$300/day/trailer

## Freight Claims

AIS will file freight claims for loss or damage if policy is followed. In order to make this policy maintainable, certain requirements must be met by the consignee in accordance with freight laws and carrier policies. These requirements are as follows:

All damage or lost freight should be reported to AIS within 72 hours of receipt. In the case of obvious damage, it must be noted in short detail on delivery receipt (i.e. bent frames, scratched surfaces, dented cartons, missing pieces).

If missing or damaged freight is discovered after receipt is completed, consignee must notify Carrier or AIS within 72 hours and request a corrected delivery receipt acknowledging loss or damage.

A detailed list of missing or damaged pieces is required in order to assess the value of the claim. Upon receipt of this information, AIS will contact the carrier and request an inspection or waiver thereof.

In the case of concealed damage, AIS must be informed within 10 days of receipt of product. All damaged product and packaging must be preserved as received pending an inspection or waiver of inspection by the carrier. All product that has a claim pending against it must be available for carriers to salvage once the claim is paid.

It is highly encouraged that digital photos are taken of any suspected freight damage. Photographic evidence substantiating claims should be provided electronically to AIS.

Any failure to adhere to these policies and procedures will result in claim responsibility shifting from AIS to the consignee.

## Force Majeure

Seller shall not be liable for failure to perform or for delay in performance due to fire, flood, strike, or any other labor difficulty, act of God, act of any governmental authority or of the Purchaser, riot, embargo, fuel or energy shortage, wrecks or delay in transportation, inability to obtain necessary labor, materials, or manufacturing facilities from usual sources or failure of suppliers to meet their contractual obligations or due to any cause beyond its reasonable control. In the event of delay in performance due to any such cause, Seller reserves the right to extend the date of delivery or time for completion by a period of time reasonably necessary to overcome the effect of such delay, to allocate any available supply of goods in a manner it deems reasonable, or to cancel any purchase order.

## Requests for Specific Delivery Time(s)

If you require delivery on a specific day during standard business hours and for a non-rushed order for an LTL and/or truckload shipment, we offer a guaranteed two hour window receipt for \$250 if your CSR is notified at least one week before your order is scheduled to ship. You may arrange a delivery with the carrier by noting "Call Before Delivery" on your order, which will typically delay receipt of the product to you by about one day.

Shipments with rush transit, before or after hours delivery or weekend delivery times require a quote from AIS Customer Service. AIS is not responsible for any damages incurred for any late deliveries, including labor or other charges resulting from unforeseen delays by any AIS or dealer chosen carrier. It is the option of the dealership to request drop shipments. AIS strongly urges dealers to take into consideration the risk that carriers typically allow for a 2-4 hour delivery window, and even when you pay for a set delivery time, the carrier is only liable for that additional charge, not for labor or other damages. AIS dealers must sign a Drop Shipment liability release form for drop shipments requesting a specific delivery time.

## Liability

Seller, its contractors, authorized dealers and subcontractors or suppliers of any tier shall not be liable in contract, in tort (including negligence and/or strict liability) or otherwise for any special, indirect, incidental or consequential damages whatsoever, including, without limitations, damages or loss of other property or equipment, loss of profits or revenue or loss of use of equipment (including additional expenses incurred in using existing facilities). The remedies set forth herein are exclusive, and the liability of Seller with respect to any contract or anything done in connection therewith, such as the performance or breach thereof, or from the manufacture, sale, delivery, resale or use of any Product covered by or furnished under the order, whether in contract, in tort (including negligence and/or strict liability) or otherwise shall not exceed the price of the Product or part on which such liability is based.

## Chair Warranty

AIS warrants to the original purchaser that all seating products are free from defects in materials and workmanship under normal use as described below. AIS will repair or replace, at its option, to the original purchaser only, defective product or parts for a period of time from the date of purchase.

### Ten year limited warranty includes:

---

Ten (10) years on structure

---

Ten (10) years on pneumatic height adjuster

---

Ten (10) years on control mechanism and all adjustable parts

---

Five (5) years on casters, bases and arm kits

---

Two (2) years on mesh and seating fabrics

---

Normal use as defined under this warranty is the wear and tear that occurs during a 40 hour week when the product is used by a person weighing 250 pounds or less. AIS will not warrant any altered components or parts. This warranty shall not cover labor or delivery charges and does not apply to items subjected to abuse, misuse, neglect, alteration, or damage caused by shipment, storage, accident, fire, flood, or act of God. This limited warranty is the sole remedy for product defect and no other express or implied warranty is provided, including but not limited to any implied warranties of merchantability or fitness for a particular purpose. AIS shall not be liable for consequential or incidental damages arising from any product defect.

## AIS Supported Specification Software

AIS provides (at no cost) symbols and data libraries for the following applications. Only Authorized AIS Dealers may purchase AIS products. AIS supported software libraries are:

**20-20 GIZA**  
**20-20 CAP**

## Carded Fabrics

Standard lead-times.

Fabric	Grade
Basis	A
Expo	A
Insight	A
Origin	A
Perk	A
Ace	B
Axis	B
Canter	B
Cinch	B
Fuse	B
Interval	B
Jargon	B
Knack	B
Ratio	B
Sector	B
Tangent	B
Icon	C
Foray	D

## Graded Fabrics

Lead-times may vary.

Fabric	Grade	Fabric	Grade
Basis	A	Array	E
Core	A	Boom	E
Expo	A	Bravo	E
Insight	A	Candid	E
Kayo	A	Crete	E
Origin	A	Etch	E
Perk	A	Fleck	E
Pivot	A	Form	E
Ace	B	Glam	E
Axis	B	Gusto	E
Canter	B	Impact	E
Cinch	B	Intermix	E
Context	B	Lumiere	E
Fuse	B	Marquee	E
Interval	B	Max	E
Jargon	B	Mercury	E
Knack	B	Mimic	E
Mime	B	Racer	E
Moda	B	Realm	E
Pinpoint	B	Rein	E
Ratio	B	Relic	E
Russo	B	Saucy	E
Sassy	B	Savant	E
Sector	B	Schema	E
Tangent	B	Sequence	E
Trek	B	Solo	E
Vox	B	Solo2	E
Cachet	C	Stance	E
Cashmere	C	Streamline	E
Era	C	Sublime	E
Gauge	C	Tact	E
Hue	C	Tatami	E
Icon	C	Valet	E
Sector	C	Vario	E
Agora	D	Venue	E
Foray	D	Verge	E
Jinx	D		
Prompt	D		

# Product Category Guide

## Executive Seating

Infinity	9800	Pg 8
Element	9600	Pg 10
Eden	9500	Pg 12
Sterling	9200	Pg 13
Kelly	9100	Pg 14
Mya	7200	Pg 16

## Multi-Purpose Seating

Element	9600	Pg 10
Mya	7200	Pg 16
Atom	700	Pg 26
Trix	600	Pg 27

## Executive Task Seating

Infinity	9800	Pg 8
Element	9600	Pg 10
Mya	7200	Pg 16
Missy	7100	Pg 18

## Intensive Task Seating

Infinity	9800	Pg 8
Infinity2	9700	Pg 9
Element	9600	Pg 10
Physics	5700	Pg 20
Maddy	4500	Pg 22
Otis	4300	Pg 24

## Boardroom Seating

Element	9600	Pg 10
Eden	9500	Pg 12
Sterling	9200	Pg 13
Mya	7200	Pg 16

## Industrial/Institutional Seating

Atom	700	Pg 26
Trix	600	Pg 27

## Stool

Physics	5700	Pg 20
---------	------	-------

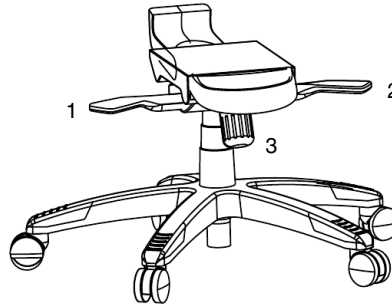
# Mechanisms

## Synchro Mechanism

Eden, Element, Infinity, Missy (Synchro)  
 Kelly, Mya, Sterling (Synchro Knee Tilt) \*



Infinity  
 (shown for example)



- 1) Pneumatic Seat Height Adjustment
- 2) Tilt-Lock
- 3) Tilt Tension Control

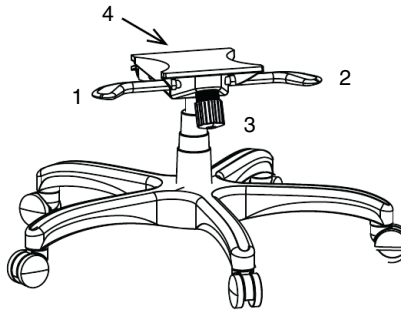
Note: Synchro with sliding seat is only available on the Infinity chair.

## Synchro Tilt

Infinity2 \*



Infinity2  
 (shown for example)



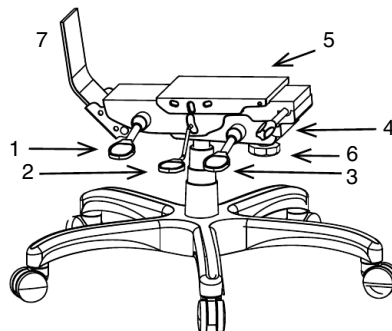
- 1) Pneumatic Seat Height Adjustment
- 2) Tilt-Lock
- 3) Tilt Tension Control
- 4) Back Depth Control

## Multi-Tilt Mechanism

Maddy, Mya, Otis, Physics \*



Physics  
 (shown for example)



- 1) Back Angle Adjustment
- 2) Pneumatic Seat Height Adjustment
- 3) Tilt-Lock
- 4) Forward Tilt Lock-Out
- 5) Sliding Seat Control (optional)
- 6) Tilt Tension Control
- 7) Ratchet Back Height Adjustment

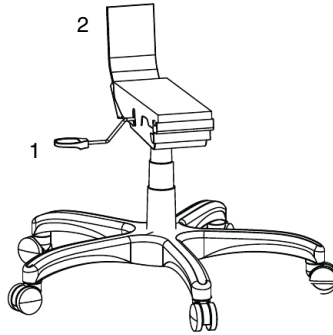
\* Where chair mechanism basics are the same (control locations and function), individual chairs have different styles to the paddles and minimal placement differences.

## Swivel Mechanism

Physics Stool \*



Physics  
(shown for example)



- 1) Pneumatic Seat Height Adjustment
- 2) Back Depth Control Lever

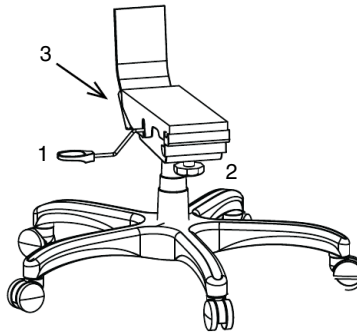
Note: Stool chair includes foot ring (not shown).

## Swivel Tilt

Element Task, Otis \*



Otis  
(shown for example)



- 1) Pneumatic Seat Height Adjustment & Tilt-Lock
- 2) Tilt Tension Control
- 3) Back Depth Control Lever

\* Where chair mechanism basics are the same (control locations and function), individual chairs have different styles to the paddles and minimal placement differences.

Infinity takes mesh task seating to a new level. Featuring a sleek, ergonomic mesh back, an optional headrest, high-density visco-elastic foam seat, seat slide mechanism and height/width adjustable arms, the Infinity is the perfect solution for virtually any user. The ratchet height adjustable mesh back is designed to suit almost any user and contours to the natural shape of the spine, providing ultimate comfort and support.

## Features and Benefits:

- Headrest for advanced ergonomic support
- Internal ratchet back height adjustment
- High-density visco-elastic foam seat
- Seat slide mechanism
- Height/width adjustable arms
- Synchro Mechanism
- Polished Aluminum Base
- Available in black mesh only

## Options:

- **Caster Type** - Hard floor



9800 (High Back)



9850 (Mid-Back)



9800 (High Back)

### 9800 (High Back)

#### List Pricing

Model Number	Description	Black Only
9800	Synchro Mechanism with Height and Width Adjustable Arms; Sliding Seat Pan; Headrest	1035
C-CASTSOFT	Hard Floor Casters (to be ordered separately)	34

Weight: 65 lbs. Volume: 9.7 cu. ft. Width: 26.5 Depth: 24.5 Height: 48.5 Seat Height: 18 - 22 Arm Height: 24 Seat Depth: 19.5

### 9850 (Mid-Back)

#### List Pricing

Model Number	Description	Black Only
9850	Synchro Mechanism with Height and Width Adjustable Arms; Sliding Seat Pan	927
C-CASTSOFT	Hard Floor Casters (to be ordered separately)	34

Weight: 65 lbs. Volume: 9.7 cu. ft. Width: 26.5 Depth: 24.5 Height: 40 Seat Height: 18 - 20 Arm Height: 24 Seat Depth: 19.5

Based on the proven engineering of the Infinity executive task chair, Infinity2 is designed for the smaller footprint of today's modern office environments. Offering a synchro tilt mechanism, height adjustable arms, inherent lumbar support and seat depth adjustment, the Infinity2 can meet the needs of virtually any work environment.

**Features and Benefits:**

- Adjustable seat depth
- Upholstered seat
- Height adjustable arms
- Synchro Tilt Mechanism

**Options:**

- **Arm Adjustment** - Height / Width Adjustable (AD)
- **Caster Type** - Hard floor



**List Pricing**

Model Number	Description	List Pricing					Hard Floor Casters
		Grade A	COM Grade B	Grade C	Grade D	Grade E	
9700TSAA	Synchro Tilt Mechanism with Height Adjustable Arms	722	733	743	754	764	+34
9700TSAD	Synchro Tilt Mechanism with Height and Width Adjustable Arms	744	755	765	776	786	+34

Weight: 50 lbs. Volume: 9.7 cu. ft. COM: 0.76 yd Width: 26 Depth: 27 Height: 37.25 - 42.5 Seat Height: 18.25 - 23.5 Arm Height: 24.75 Seat Depth: 19

Element's mesh back and soft yet durable mesh over foam cushion design maximizes both comfort and support by improving ventilation and reducing seating fatigue. Offered in both an executive and task-based size, Element is the perfect compliment to any workspace or meeting area. The Executive chair utilizes a synchro mechanism while the Task chair utilizes a swivel tilt mechanism. Element is available with a complimenting side chair in both the Executive and Task chair sizes.

## Features and Benefits:

- Synchro Mechanism with 2:1 ratio knee tilt (Element Executive)
- Swivel Tilt Mechanism (Element Task)
- High density, high resiliency seat cushion foam material
- Heavy duty 5 prong die aluminum base with anti-slip molded treads for added durability and comfort
- Backrest constructed of high impact, fiber reinforced polypropylene
- Element Task is ideal for workstations, while Element Executive is ideal for private office environments.

## Options:

- Silver or Black Mesh Back Task Chair
- **Caster Type** - Hard floor



Executive



Task



Task Side



Executive Side

Executive



List Pricing

Model Number	Description	Black Only
9600	Element Executive Chair, Synchro Mechanism	808
9607	Element Executive Side Chair	709
C-CASTSOFT	Hard Floor Casters (to be ordered separately)	34

Executive

- Weight: 46.9 lbs. Volume: 6.6 cu. ft. Width: 27.5 Depth: 22.38 Height: 41.5 - 44.31 Seat Height: 18.13 - 20.88 Arm Height: 27 Seat Depth: 18.88

Executive Side

- Weight: 36.7 lbs. Volume: 6.6 cu. ft. Width: 26.75 Depth: 25.19 Height: 40.75 Seat Height: 18.69 Arm Height: 26 Seat Depth: 19.5

Task



List Pricing

Model Number	Description	Black Only
9650	Element Task Chair, Swivel Tilt Mechanism	581
9650S	Element Task Chair, Silver, Swivel Tilt Mechanism	650
9657	Element Task Side Chair	442
C-CASTSOFT	Hard Floor Casters (to be ordered separately)	34

Task

- Weight: 33.9 lbs. Volume: 5.4 cu. ft. Width: 25.19 Depth: 25.19 Height: 37.38 - 41.75 Seat Height: 18.13 - 22.44 Arm Height: 26 Seat Depth: 18.13

Task Side

- Weight: 30.64 lbs. Volume: 6.3 cu. ft. Width: 25.2 Depth: 26.77 Height: 37.4 Seat Height: 18.9 Arm Height: 25.75 Seat Depth: 18.5

Elegance personified, the Eden series is stylishly designed for the executive office or boardroom. Eden's sophisticated design is tailored to meet the needs of the most discerning professional. The Eden exhibits outstanding design and is manufactured to exceed the highest standards. Every curve of the Eden is designed to enhance your sitting experience. The Eden frame rides effortlessly on a 2:1 synchro mechanism with a 5-position tilt lock, making it as functional as it is attractive.

## Features and Benefits:

- Comfort-Plus™ high density molded seat and back
- Height and width adjustable arms
- Synchro Mechanism

## Options:

- **Caster Type** - Hard floor



9550 (Mid-Back)



9500 (High Back)

## 9500 (High Back)

### List Pricing

Model Number	Description	List Pricing					Hard Floor Casters
		Grade A	COM Grade B	Grade C	Grade D	Grade E	
9500ESAB	Executive Synchro Mechanism with Height and Width Adjustable Arms	1112	1130	1148	1166	1184	+34

Weight: 58 lbs. Volume: 11.64 cu. ft. COM: 2.25 yds Width: 23.5 Depth: 26 Height: 48 Seat Height: 18 - 22.5 Arm Height: 25 Seat Depth: 18.5

## 9550 (Mid-Back)

### List Pricing

Model Number	Description	List Pricing					Hard Floor Casters
		Grade A	COM Grade B	Grade C	Grade D	Grade E	
9550ESAB	Executive Synchro Mechanism with Height and Width Adjustable Arms	995	1013	1030	1048	1066	+34

Weight: 57 lbs. Volume: 11.0 cu. ft. COM: 2.25 yds Width: 23.5 Depth: 26 Height: 41 Seat Height: 18 - 22.5 Arm Height: 25 Seat Depth: 18.5

The Sterling series brings comfort and style to your boardroom, meeting area or executive office. This elegant chair features plush leather upholstery in combination with aluminum arm and base accents. Available in two back heights, Sterling will enhance any office area.

**Features and Benefits:**

- Plush Leather Pillow Top, Seat and Back
- Multi-curved one piece molded shell for durability
- Leather upholstered arm to protect tables or desks
- State-of-the-art Synchro Knee Tilt Mechanism with multiple locking positions

**Options:**

- **Caster Type** - Hard floor



9200 (High Back)



9250 (Mid-Back)

**9200 (High Back)**

**List Pricing**

Model Number	Description	Black Only
9200	Knee Tilt Mechanism	995
C-CASTSOFT	Hard Floor Casters (to be ordered separately)	34

Weight: 60 lbs. Volume: 15.1 cu. ft. Width: 25.5 Depth: 27 Height: 47 Seat Height: 17.5 - 20.5 Arm Height: 25.5 Seat Depth: 19

**9250 (Mid-Back)**

**List Pricing**

Model Number	Description	Black Only
9250	Knee Tilt Mechanism	975
C-CASTSOFT	Hard Floor Casters (to be ordered separately)	34

Weight: 56 lbs. Volume: 15.1 cu. ft. Width: 25.5 Depth: 27 Height: 43 Seat Height: 17.5 - 20.5 Arm Height: 25.5 Seat Depth: 19

Kelly will surely compliment your boardroom or office with its sleek lines and polished look. This executive high back chair, offered in a comfortable black leather upholstery, will catch your eye with its rounded metal arms with durable, polyurethane arm pads and large 27" chrome base. Other standard features include adjustable tilt-tension control, knee tilt mechanism and pneumatic gas lift seat height adjustment. Kelly, a professional addition to your workspace.

## Features and Benefits:

- Rounded metal arms with polyurethane arm pads
- Adjustable tilt-tension control
- Knee-tilt mechanism
- Pneumatic gas lift seat height adjustment
- Large 27" chrome base for greater stability
- Hooded double wheel casters
- Class 4 cylinder



9100 (High Back)



**List Pricing**

Model Number	Description	Black Only
9100	Kelly Executive High Back Chair, Black	839

Weight: 42.68 lbs. Volume: 5.64 cu. ft. Width: 27 Depth: 27.95 Height: 40.94 - 43.9 Seat Height: 18.5 - 21.46 Arm Height: 26.57 - 29.53 Seat Depth: 19.29

Mya is elegant and sophisticated, complete with all the features you would expect in an executive task chair of this caliber. It is available in high back, mid-back, low back and side chair configurations. Mya can be customized with an optional seat slide mechanism and ballistic nylon outer back to meet individual needs. Mya includes an adjustable ratchet back and waterfall seat, adding comfort and style.

## Features and Benefits:

- Height/width adjustable arms
- Synchro Knee Tilt or Multi-Tilt Mechanism
- Internal ratchet back height adjustment

## Options: (High/Mid/Low Back)

- **Mechanisms** - Seat Slide (MTS)
- **Outer Back** - Ballistic Nylon for increased durability
- **Caster Type** - Hard floor



7250 (Mid-Back)



7200 (High Back)



7210 (Low Back)



7217 (Side Chair)

## 7200 (High Back)



### List Pricing

Model Number	Description	List Pricing					Hard Floor Casters
		Grade A	COM Grade B	Grade C	Grade D	Grade E	
7200MTAB	Multi-Tilt Mechanism with Height and Width Adjustable Arms	901	919	937	955	973	+34
7200MTSAB	Multi-Tilt Mechanism with Height and Width Adjustable Arms, Sliding Seat	931	949	967	984	1002	+34
7200SKAB	Synchro Knee Tilt Mechanism with Height and Width Adjustable Arms	899	917	935	953	971	+34
7200MTABB	Multi-Tilt Mechanism with Height and Width Adjustable Arms, Ballistic Nylon Outer Back in Black	952	970	987	1005	1023	+34
7200MTSABB	Multi-Tilt Mechanism with Height and Width Adjustable Arms, Ballistic Nylon Outer Back in Black, Sliding Seat	980	998	1016	1034	1051	+34
7200SKABB	Synchro Knee Tilt Mechanism with Height and Width Adjustable Arms, Ballistic Nylon Outer Back in Black	950	968	985	1003	1021	+34

Weight: 58 lbs. Volume: 12.4 cu. ft. COM: 3 yds Width: 24.5 Depth: 26 Height: 43.5 Seat Height: 17.25 - 22.5 Arm Height: 25.5 Seat Depth: 18

7250 (Mid-Back)



Model Number	Description	List Pricing					Hard Floor Casters
		Grade A	COM Grade B	Grade C	Grade D	Grade E	
7250MTAB	Multi-Tilt Mechanism with Height and Width Adjustable Arms	896	914	932	950	968	+34
7250MTSAB	Multi-Tilt Mechanism with Height and Width Adjustable Arms, Sliding Seat	925	942	960	978	996	+34
7250SKAB	Synchro Knee Tilt Mechanism with Height and Width Adjustable Arms	894	912	930	948	966	+34
7250MTABB	Multi-Tilt Mechanism with Height and Width Adjustable Arms, Ballistic Nylon Outer Back in Black	940	958	976	994	1012	+34
7250MTSABB	Multi-Tilt Mechanism with Height and Width Adjustable Arms, Ballistic Nylon Outer Back in Black, Sliding Seat	969	986	1004	1022	1040	+34
7250SKABB	Synchro Knee Tilt Mechanism with Height and Width Adjustable Arms, Ballistic Nylon Outer Back in Black	938	956	974	992	1010	+34

Weight: 56 lbs. Volume: 12.4 cu. ft. COM: 3 yds Width: 24.5 Depth: 26 Height: 40 Seat Height: 17.25 - 22.5 Arm Height: 25.5 Seat Depth: 18

7210 (Low Back)



Model Number	Description	List Pricing					Hard Floor Casters
		Grade A	COM Grade B	Grade C	Grade D	Grade E	
7210MTAB	Multi-Tilt Mechanism with Height and Width Adjustable Arms	892	910	928	946	963	+34
7210MTSAB	Multi-Tilt Mechanism with Height and Width Adjustable Arms, Sliding Seat	920	938	956	974	992	+34
7210SKAB	Synchro Knee Tilt Mechanism with Height and Width Adjustable Arms	890	908	926	943	961	+34
7210MTABB	Multi-Tilt Mechanism with Height and Width Adjustable Arms, Ballistic Nylon Outer Back in Black	935	953	971	989	1006	+34
7210MTSABB	Multi-Tilt Mechanism with Height and Width Adjustable Arms, Ballistic Nylon Outer Back in Black, Sliding Seat	963	981	999	1017	1035	+34
7210SKABB	Synchro Knee Tilt Mechanism with Height and Width Adjustable Arms, Ballistic Nylon Outer Back in Black	933	951	969	986	1004	+34

Weight: 55 lbs. Volume: 11.2 cu. ft. COM: 3 yds Width: 24.5 Depth: 26 Height: 37.5 Seat Height: 17.25 - 22.5 Arm Height: 25.5 Seat Depth: 18

7217 (Side Chair)



Model Number	Description	List Pricing				
		Grade A	COM Grade B	Grade C	Grade D	Grade E
7217	Mya 4-Leg Side Chair	725	741	757	773	788
7217B	Mya 4-Leg Side Chair with Ballistic Nylon Outer Back in Black	786	782	798	814	829

Weight: 30 lbs. Volume: 14.5 cu. ft. COM: 2 yds Width: 26 Depth: 26 Height: 37 Seat Height: 18.5 Arm Height: 26.5 Seat Depth: 20.5

Missy is a contemporary executive task chair that will complement any office space. It comes packed with many features such as a pneumatic height adjustment, a tension adjustment, adjustable height arms, and a synchronized mechanism with tilt lock. Missy is offered in a striking black or grey performance fabric and can also be customized with your choice of AIS upholstery fabric. Missy, sure to be a good fit for everyone.

## Features and Benefits:

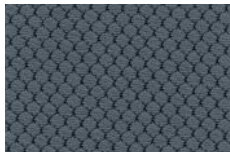
- Pneumatic height adjustment
- Adjustable height back rest
- Height adjustable arms with forward/rearward arm pad
- Tension adjustment
- Synchro mechanism with tilt lock

## Options:

- Available in black, grey or upholstered



Black Performance Fabric



Grey Performance Fabric



7100 (Executive Task)



List Pricing

Model Number	Description	COM				
		Grade A	Grade B	Grade C	Grade D	Grade E
7100BK	Missy Executive Task Chair, Black	582				
7100GR	Missy Executive Task Chair, Grey	582				
7100	Missy Executive Task Chair, Upholstered	634	652	670	688	706

Weight: 50 lbs. Volume: 11 cu. ft. COM: 1.25 yds Width: 26 Depth: 25 Height: 40.5 - 44 Seat Height: 16.5 - 20 Arm Height: 29 - 32 Seat Depth: 19

Physics is the culmination of many years of research and development in seating ergonomics. Offered in a high back, low-back and stool configuration with a high-density, molded seat and back, Physics is the perfect fit for applications ranging from the executive office to the most intensive multi-tasking environment. Physics offers height adjustable arms and an internal ratchet back height adjustment, ideal for multi-user environments. Optional seat slide mechanism and width adjustable arms are available for precision ergonomic requirements.

## Features and Benefits:

- Internal ratchet back height adjustment
- High-density molded seat and back
- Height adjustable arms
- Multi-Tilt Mechanism
- Stool available with swivel only mechanism

## Options:

- **Mechanisms** - Seat Slide (MTS)
- **Arm Adjustment** - Height / Width Adjustable (AP)
- **Caster Type** - Hard floor

## Options: (Stool)

- **Arm Adjustment** - Height Adjustable (AT)  
Height / Width Adjustable (AP)
- **Caster Type** - Hard floor



5700 (High Back)



5710 (Low Back)



5705 (Stool)

5700 (High Back)



List Pricing

Model Number	Description	List Pricing					Hard Floor Casters
		Grade A	COM Grade B	Grade C	Grade D	Grade E	
5700MTAT	Multi-Tilt Mechanism with Height Adjustable Arms	731	744	759	775	796	+34
5700MTSAT	Multi-Tilt Mechanism with Height Adjustable Arms, Sliding Seat	759	774	787	803	824	+34
5700MTAP	Multi-Tilt Mechanism with Height and Width Adjustable Arms	758	772	786	802	823	+34
5700MTSAP	Multi-Tilt Mechanism with Height and Width Adjustable Arms, Sliding Seat	786	801	815	830	851	+34

Weight: 54 lbs. Volume: 8 cu. ft. COM: 2.25 yds Width: 26.25 Depth: 26 Height: 40.75 Seat Height: 17.5 - 23 Arm Height: 24.75 Seat Depth: 17.5

5710 (Low Back)



List Pricing

Model Number	Description	List Pricing					Hard Floor Casters
		Grade A	COM Grade B	Grade C	Grade D	Grade E	
5710MTAT	Multi-Tilt Mechanism with Height Adjustable Arms	704	719	733	749	771	+34
5710MTSAT	Multi-Tilt Mechanism with Height Adjustable Arms, Sliding Seat	734	747	762	778	799	+34
5710MTAP	Multi-Tilt Mechanism with Height and Width Adjustable Arms	732	746	760	776	798	+34
5710MTSAP	Multi-Tilt Mechanism with Height and Width Adjustable Arms, Sliding Seat	761	775	789	805	826	+34

Weight: 50 lbs. Volume: 8 cu. ft. COM: 2.25 yds Width: 26.25 Depth: 26 Height: 37.25 Seat Height: 17.5 - 23 Arm Height: 24.75 Seat Depth: 17.5

5705 (Stool)



List Pricing

Model Number	Description	List Pricing					Hard Floor Casters
		Grade A	COM Grade B	Grade C	Grade D	Grade E	
5705SPNA	Swivel Mechanism without Arms	586	601	614	630	651	+34
5705SPAT	Swivel Mechanism with Height Adjustable Arms	658	673	687	702	724	+34
5705SPAP	Swivel Mechanism with Height and Width Adjustable Arms	686	700	714	730	752	+34

Weight: 50 lbs. Volume: 8 cu. ft. COM: 2.25 yds Width: 20 Depth: 26 Height: 40.5 Seat Height: 21 - 28.5 Seat Depth: 18.25

Maddy makes for a sleek addition to any workspace. This mid-back multi-function task chair comes fully packed with all the features needed to support you while you work. Maddy comes standard with height adjustable arms, adjustable tilt-tension control, pneumatic gas lift seat height adjustment, a ratchet back height adjustment and a robust class 4 cylinder. Maddy, what's not to love?

## Features and Benefits:

- Adjustable arms with soft arm pads
- Height adjustable arms
- Adjustable tilt-tension control
- Pneumatic gas lift seat height adjustment
- Ratchet back height adjustment
- Robust class 4 cylinder
- Requires assembly

## Options:

- Available in black or any standard AIS upholstery fabric



4500 (Mid-Back)



List Pricing

Model Number	Description	COM				
		Grade A	Grade B	Grade C	Grade D	Grade E
4500BK	Maddy Mid-Back Task Chair, Black	478				
4500	Maddy Mid-Back Task Chair, Upholstered	596	641	652	664	679

Weight: 47.08 lbs. Volume: 6.6 cu. ft. COM: 3.6 yds

Width: 28 Depth: 26.38 - 31.69 Height: 35.43 - 41.34 Seat Height: 18.7 - 22.24 Arm Height: 25.59 - 31.69 Seat Depth: 18.11

Otis can be tailored to make it the perfect fit for applications ranging from the boardroom and the executive office, to the most intensive multi-tasking environment. Offered in low and high back configurations, the Otis series comes standard with height adjustable arms and is available with either the multi-tilt or swivel tilt mechanism. Ergonomic options include a seat slide mechanism and height and width adjustable arms, allowing Otis to be customized to suit the requirements of the most demanding modern workplace.

## Features and Benefits:

- Multi-Tilt with internal ratchet back height adjustment or Swivel Tilt Mechanism

## Options:

- **Mechanisms** - Seat Slide (MTS), available on Multi-Tilt only
- **Arm Adjustment** - Height / Width Adjustable (AP)
- **Caster Type** - Hard floor



4300 (High Back)



4310 (Low Back)

4300 (High Back)



Model Number	Description	List Pricing					Hard Floor Casters
		Grade A	COM Grade B	Grade C	Grade D	Grade E	
4300STAT	Swivel Tilt Mechanism with Height Adjustable Arms	581	594	608	622	635	+34
4300STAP	Swivel Tilt Mechanism with Height and Width Adjustable Arms	608	622	635	649	663	+34
4300MTAT	Multi-Tilt Mechanism with Height Adjustable Arms	686	699	713	726	740	+34
4300MTSAT	Multi-Tilt Mechanism with Height Adjustable Arms, Sliding Seat	714	727	741	755	768	+34
4300MTAP	Multi-Tilt Mechanism with Height and Width Adjustable Arms	713	726	740	754	767	+34
4300MTSAP	Multi-Tilt Mechanism with Height and Width Adjustable Arms, Sliding Seat	741	755	768	782	796	+34

Weight: 52 lbs. Volume: 7.6 cu. ft. COM: 2.25 yds Width: 26 Depth: 26 Height: 42 Seat Height: 17.5 - 21.5 Arm Height: 25.5 Seat Depth: 19.5

4310 (Low Back)



Model Number	Description	List Pricing					Hard Floor Casters
		Grade A	COM Grade B	Grade C	Grade D	Grade E	
4310STAT	Swivel Tilt Mechanism with Height Adjustable Arms	556	569	583	597	610	+34
4310STAP	Swivel Tilt Mechanism with Height and Width Adjustable Arms	583	596	610	624	637	+34
4310MTAT	Multi-Tilt Mechanism with Height Adjustable Arms	660	674	688	701	715	+34
4310MTSAT	Multi-Tilt Mechanism with Height Adjustable Arms, Sliding Seat	690	703	717	731	744	+34
4310MTAP	Multi-Tilt Mechanism with Height and Width Adjustable Arms	688	701	715	729	742	+34
4310MTSAP	Multi-Tilt Mechanism with Height and Width Adjustable Arms, Sliding Seat	717	731	744	758	772	+34

Weight: 51 lbs. Volume: 5.9 cu. ft. COM: 2.25 yds Width: 26 Depth: 26 Height: 38 Seat Height: 17.5 - 21.5 Arm Height: 25.5 Seat Depth: 19.5

The Atom is a heavy-duty, durable and affordable sled based stacking chair. Atom is the perfect fit for training rooms, conference spaces, cafeterias, or as a guest chair. The chair can stack up to 8 chairs high on the floor and 12 chairs high on a dolly. Offered as an arm chair or armless side chair, both versions are stackable to optimize space. Being extremely versatile, arms on the Atom chair can be retrofitted in the field.

## Features and Benefits:

- Heavy-duty, engineered for use by the U.S. Military
- Stackable
- Seat, back and arms are easily retrofittable in the field
- Suspension back
- Polypropylene arm caps are ideal for high traffic use

## Note:

- Chairs are boxed 4 per box. Add \$12 net for every chair that does not meet the standard packaging quantity.



751 (Stacking Side Chair)



752 (Stacking Arm Chair)



752 (Stacking Arm Chair)

## List Pricing

Model Number	Description	COM				
		Grade A	Grade B	Grade C	Grade D	Grade E
751	Stacking Side Chair	332	343	353	364	374
752	Stacking Arm Chair	352	363	373	384	394
754	Dolly for Atom Chair	409				

751 (Stacking Side Chair)

- Weight: 65 lbs. Volume: 16.3 cu. ft. COM: 1.5 yds Width: 23 Depth: 24.5 Height: 32 Seat Height: 18 Seat Depth: 16.5

752 (Stacking Arm Chair)

- Weight: 82 lbs. Volume: 16.3 cu. ft. COM: 1.5 yds Width: 23 Depth: 24.5 Height: 32 Seat Height: 18 Arm Height: 24.5 Seat Depth: 16.5

Trix is the most versatile, multi-purpose seating line offered by AIS. Offered in stackable arm and armless versions with four legs, as well as an arm chair caster version, Trix can meet the needs of virtually any environment. Engineered with a high frequency molded back, the chair is extremely comfortable. The Trix caster version with arms is ideal for use in occasional meeting spaces, training rooms, and any other configurable space. Optional ganging brackets can be used to create row seating.

**Features and Benefits:**

- Stackable
- Easily configured

**Options:**

- **Ganging Brackets**
- **Caster Type** - Hard floor

**Note:**

- Stacking chairs are boxed 2 per box. Add \$12 net for every chair that does not meet the standard packaging quantity.



662 (Stacking Arm Chair)



665 (Arm Chair with Casters)



661 (Stacking Side Chair)

**List Pricing**

Model Number	Description	Grade					Hard Floor Casters
		Grade A	COM Grade B	Grade C	Grade D	Grade E	
661UBK	Stacking Side Chair - 4 Legs	305	316	326	337	347	
662UBK	Stacking Arm Chair - 4 Legs	324	334	345	355	366	
665UBK	Arm Chair - 4 Legs with Casters (Non-Stacking)	382	392	403	413	424	+34
654	Dolly for Trix Chair (capacity: 8)	389					
600GB	Ganging Brackets for Trix Chair	52					

661 (Stacking Side Chair)

- Weight: 32 lbs. Volume: 10.2 cu. ft. COM: 1.5 yds Width: 20 Depth: 22.5 Height: 32.75 Seat Height: 17.5 Seat Depth: 17.5

662 (Stacking Arm Chair)

- Weight: 37 lbs. Volume: 10.2 cu. ft. COM: 1.5 yds Width: 23 Depth: 22.5 Height: 32.75 Seat Height: 17.5 Arm Height: 28 Seat Depth: 17.5

665 (Arm Chair with Casters)

- Weight: 24 lbs. Volume: 8.3 cu. ft. COM: 1.5 yds Width: 23 Depth: 22.5 Height: 34.75 Seat Height: 18.75 Arm Height: 28.5 Seat Depth: 17.5





